

RangePRO Model L5LUH Laser Rangefinder Module

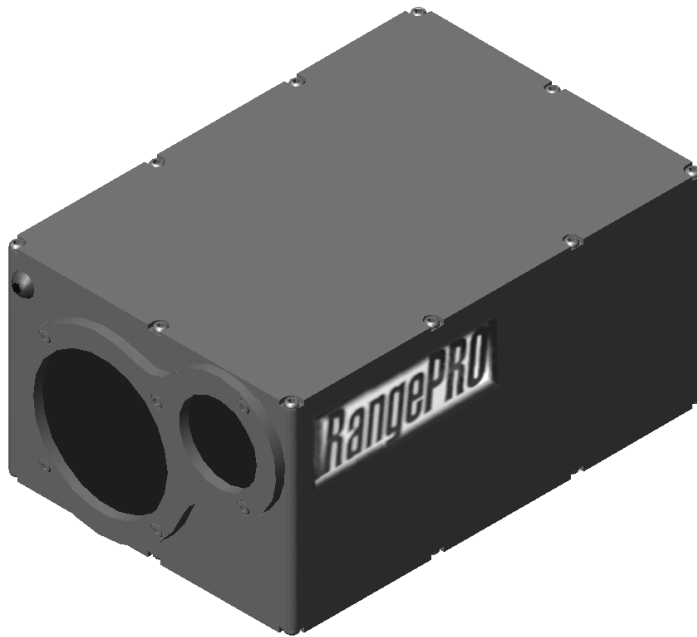


TABLE OF CONTENTS

Chapter	Page
1 DESCRIPTION	1-1
2 SPECIFICATIONS	2-1
2.1 System Performance	2-1
2.2 Communications	2-2
2.3 Physical Characteristics	2-2
2.4 Electrical Requirements	2-3
2.5 Environmental	2-3
2.6 Connector/Pin Details	2-3
3 SET-UP	3-1
3.1 Mounts	3-1
3.2 Connections	3-1
4 OUTLINE DRAWINGS	4-1
LIST OF FIGURES	
Figure 3-1: Mounts	3-1
Figure 3-2: Connections	3-1
Figure 4-1: Outline Drawing	4-1

$$P_R = \frac{P_L \times X^2 \times \delta \times D_L^2 \times A_L \times \cos\beta}{4 \times R^2 \times A_L}$$

RangePRO Model L5LUH Laser Rangefinder Module

1 DESCRIPTION

The RangePRO Model L5LUH is an OEM laser rangefinder module providing an advanced digital rangefinding capability for military, paramilitary and commercial applications.

It integrates with host systems such as weapon, sensing, or surveillance and tracking stations, and thermal imaging cameras. It requires power and control command input, and provides range-to-target and self-diagnostic data output.

The L5LUH ranges at low repetition rates over distances to 10km depending on target size, target reflectivity, atmospheric conditions and customer supplied external optics (typically greater than 5km for vehicle type targets).

The transmitter is a collimated eye-safe laser system. It can provide ranging rates from single shot up to 10 per minute.


The unit is fully sealed, purged and backfilled with dry air.

Advanced digital signal processing techniques are employed to provide accurate, reliable ranging. Signals from the detector are digitally sampled. The samples are examined to determine all potential real target returns. If a valid target is detected within the user-set range gate it's range data is output, if more than one target is detected within the range gate the nearest or farthest may be selected for data output.

All signal and range computation is done "on the fly". Using this philosophy, the only task remaining after the sampling has expired is to transfer the range data through the serial port. Effectively the speed of the signal processing is limited only by the data output rate.

The system employs an adaptive range threshold to compensate for changing noise levels. The worst case for noise is when the system electronics are being operated at the high end of their temperature specification and when ranging is being performed in strong sunlight. The best case is the reverse situation. The adaptive range threshold feature results in more reliable ranging (fewer false alarms) when noise is elevated and higher sensitivity (further ranging) when noise is reduced, thus maximising the system capability under varying conditions. The threshold is calculated on a "shot-by-shot" basis.

RangePRO laser rangefinder software is easily upgradeable, upgrades can be downloaded in the field via a PC.


$$P_R = \frac{P_L \times \tau^2 \times \delta \times D_L^2 \times A_T \times \cos\beta}{4 \times R^2 \times A_L}$$

RangePRO Model L5LUH Laser Rangefinder Module

2 SYSTEM SPECIFICATIONS

Notation - use of brackets in tables: [notes & qualifications] (units) {alternate units}.

2.1 System Performance

PARAMETER		SPECIFICATION
Control		
Control Functions		all control functions and range data via comms port
Ranging		
Laser Type		Nd:YAG/OPO
Wavelength (nm)		1,565 to 1,575 [1,570 nominal]
Output Energy [per pulse] (mJ)		< 8
Beam Diameter [at exit] (mm)		20
Receiver Aperture (mm)		42
Detector		InGaAs with time variant gain
Range Read-out Limits (m)	minimum	50
[factory selectable]	maximum	20,000
Ranging Performance¹	vehicle [2.3x2.3m]	> 6,500
[Std. Clear ²; max.] (m)	building [8x8m]	> 10,000
Range Accuracy [typical] (m)		± 3
Target Dis-	Lateral [1m² targets @ 5,000m]	≤ 20
crimination (m)	Axial [between 100 & 5,000m]	≤ 100
Ranging Rate [max.] (per minute)		12
Safety & Protection		
Laser Classification ³		Class 1
Visible Emission Filter		blocking
Visible Emission [@ ≥ 5m]		nil
Audible Emission [@ ≥ 5m]		nil

¹ Target albedo 0.05 @ 1,570nm.

² Standard Clear atmosphere; Extinction Coefficient 0.097 @ 1,570nm (RCA Handbook); sea level visibility = 23.5km.

³ Australian/NewZealand Standard AS/NZS 2211.1:1997 *Laser Safety Part 1: Equipment classification, requirements and user's guide.*

$$P_R = \frac{P_L \times \tau^2 \times \delta \times D_L^2 \times A_T \times \cos\beta}{4 \times R^2 \times A_L}$$

RangePRO Model L5LUH Laser Rangefinder Module

PARAMETER	SPECIFICATION
Support	
MTBF [ground mobile (shots)]	> 150,000
Operational Life (years)	10

2.2 Communications

PARAMETER	SPECIFICATION
Port(s)	one serial port [shared with power input]
Type	RS-422
Data Rate	19,200

2.3 Physical Characteristics

PARAMETER	SPECIFICATION	
Mass [approx.] (g)	1,010	
Dimensions [approx.] (mm) ⁴	Length (inc. windows)	138
	Length (body only)	135.5
	Width	94
	Height	66
Specific Gravity	> 1 [non-floatation]	
Mounting	3-point mount	

2.4 Electrical Requirements

PARAMETER	SPECIFICATION	
Supply Voltage [external] (Vdc)	10 to 32	
Power Consumption (W)	typical [standby]	< 1
	peak [typical while charging]	< 10

⁴ Excluding connectors, mounting feet and external windows.

$$P_R = \frac{P_L \times X^2 \times \delta \times D_L^2 \times A_I \times \cos\beta}{4 \times R^2 \times A_L}$$

RangePRO Model L5LUH Laser Rangefinder Module

2.5 Environmental

PARAMETER			SPECIFICATION
Temperature (°C)	Operate	min. ⁵	-20
		max. ⁶	+50
	Survive	min. ⁵	-46
		max. ⁶	+71
Vibration and Shock ⁷			MIL-STD-810F, ground mobile
Sealing ⁸			immersion proof
EMI/EMC ^{7, 8}			MIL-STD-461D

2.6 Connector/Pin Details

PARAMETER		SPECIFICATION
Power Input & Comms Port Connection: Connector, MilSpec, Panel, Plug, Bayonet, 8 Way, 12 Shell, Pattern 105, square flange, Mil-C26482, AB05 2100 12-8P N00		
Purpose		dc power input and RS-422 Serial Comms
Pins	A	+V, dc power in
	B	TX-
	C	TX+
	D	RX+
	E	RX-
	F	GND POWER
	G	GND CHASSIS
	H	RS-422 COMMON

⁵ Without wind chill.

⁶ Without solar radiation.

⁷ Refer to manufacturer for details.

⁸ With compliant line connectors attached.

$$P_R = \frac{P_L \times X^2 \times \delta \times D_L^2 \times A_L \times \cos\beta}{4 \times R^2 \times A_L}$$

RangePRO Model L5LUH Laser Rangefinder Module

3 SET-UP

3.1 Mounts

The RangePRO mounting arrangement is located on the bottom face:
three tapped M4 holes, 5mm deep; and
two stainless steel 3mm dia. dowel guide pins, 3mm long.

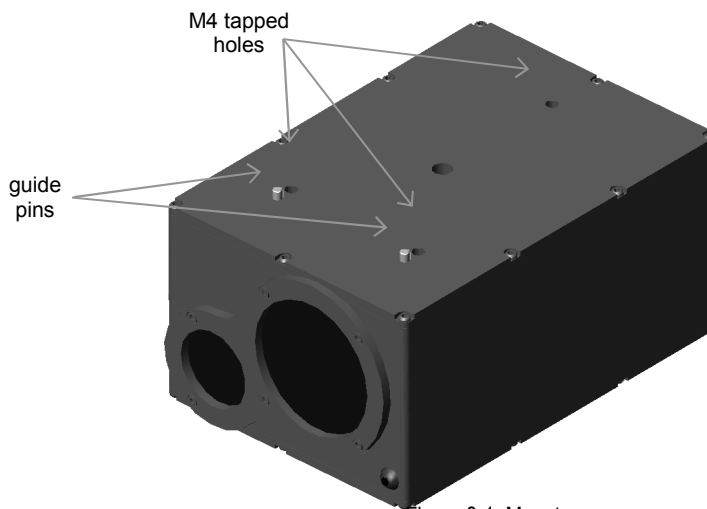


Figure 3-1: Mounts

3.2 Connections

CAUTION: do not connect or disconnect when external power is applied;
user-supplied connections must be correctly wired (see Connector/Pin Details).

The RangePRO has one connection point, being an 8 Way MilSpec panel plug, located on the rear of the unit. Refer to specifications for connection details.

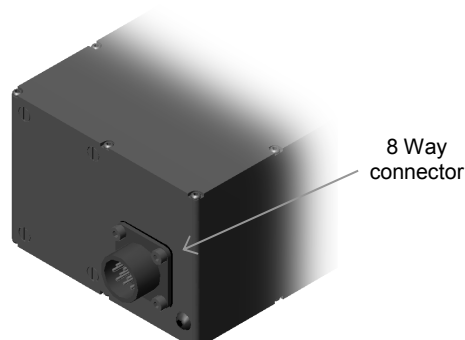


Figure 3-2: Connections

$$P_R = \frac{P_L \times X^2 \times \delta \times D_L^2 \times A_1 \times \cos\beta}{4 \times R^2 \times A_L}$$

Product Specification



RangePRO Model L5LUH Laser Rangefinder Module

4 OUTLINE DRAWINGS

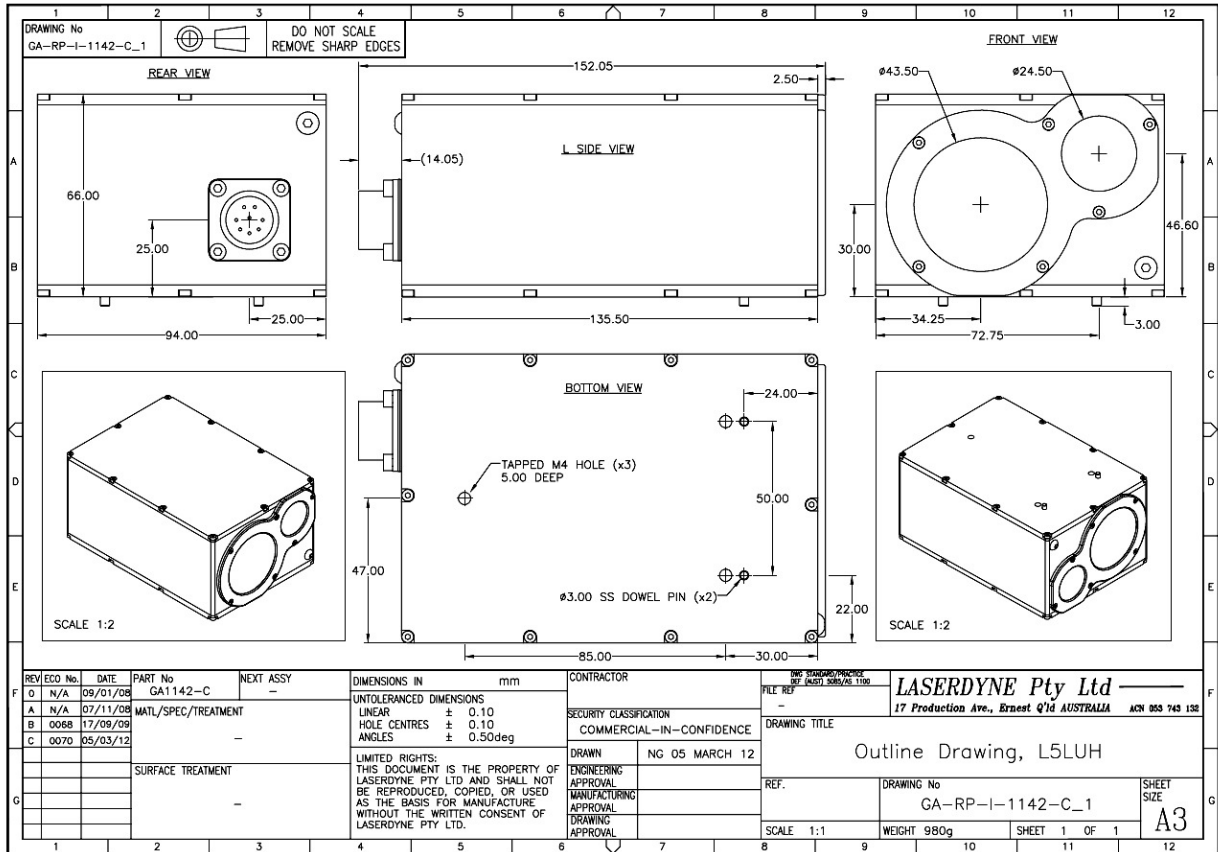


Figure 4-1: Outline Drawing



A Division of Laserdyne Pty Ltd
 A.C.N. 053 743 132

17 Production Ave
 Molendinar
 Queensland 4214
 Australia

Tel: (07) 5594 9772 Int'l Tel: 61 7 5594 9772
 Fax: (07) 5594 9981 Int'l Fax: 61 7 5594 9981

email: laserdyne@laserdyne.com.au
 website: www.laserdyne.com.au

The information contained herein is proprietary to Laserdyne Pty Ltd. No part of this work may be reproduced or copied in any way without prior written permission of Laserdyne Pty Ltd.
 Note: specifications herein are subject to change without notice.

Copyright. All Rights Reserved. Laserdyne Pty Ltd

File: PS-RP-S-1095-B_1	Author(s): TW	Authorised: TW	Rev. Date: 4.2.15	Page 4-1
------------------------	---------------	----------------	-------------------	----------